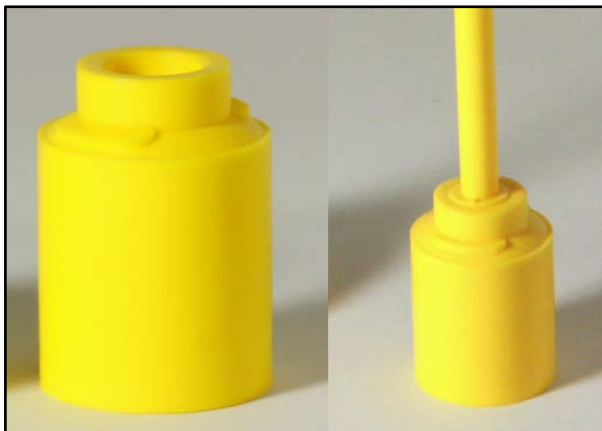


DriscoPlex® MDPE Molded Fitting

Molded Butt Purge Cap



DriscoPlex® MDPE Molded Fittings are available to meet your needs in compliance with ASTM D2513, D3261, and F2897 product standards.

Made in the USA and produced from only the highest rated MDPE material, DriscoPlex® Fittings are manufactured from PE 2708 resin as listed in PPI-TR4.

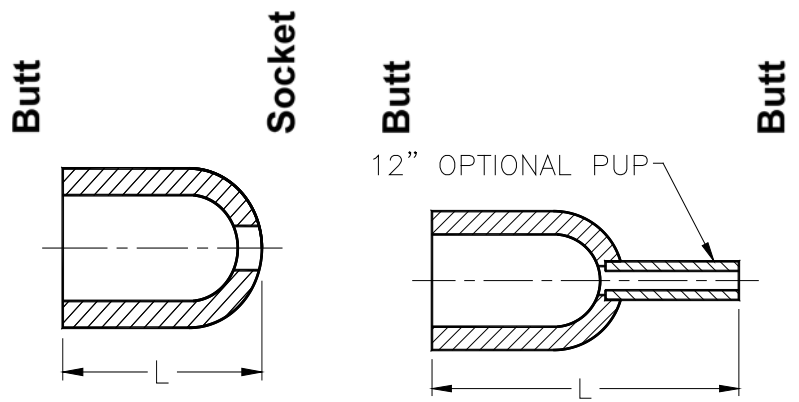
DriscoPlex® PE Fitting Advantages:

- ✓ Durable
- ✓ Leak Tight
- ✓ Excellent Flow
- ✓ Easy Install
- ✓ Light Weight
- ✓ Impact Resistant
- ✓ Fusibility
- ✓ Corrosion Resistant
- ✓ Chemical Resistant
- ✓ Life Cycle Cost
- ✓ Toughness
- ✓ Environmental

DriscoPlex® PE Fittings Material Physical Properties		
Property	Standard	MDPE Typical Values
Material Designation	ASTM F412	PE 2708
Cell Classification	ASTM D3350	234373E
Density [4]	ASTM D1505	0.939 g/cc (Yellow)
Melt Index [4]	ASTM D1238	0.18 g/10 min
Flexural Modulus [5]	ASTM D790	> 90,000 psi
Tensile Strength [5]	ASTM D638 Type IV	> 2800 psi
SCG (PENT) [7]	ASTM F1473	> 2000 hours
HDB at 73°F (23°C) [4]	ASTM D2837	1250 psi
Color; UV stabilizer [E]	ASTM D3350	– Yellow

This is not a product specification and does not guarantee or establish specific minimum or maximum values or manufacturing tolerance for material or piping products to be supplied. Values obtained from tests of specimens taken from piping product may vary from these typical values.

Molded Butt Purge Cap



Butt x Socket Purge Caps	DR/Wall	Package Quantity	Molded Butt Purge Cap with Socket Purge Outlet			Molded Butt Purge Cap with Nipple		
			MDPE	Dimensions L (in)	Package Weight (lbs)	MDPE	Dimensions L (in)	Package Weight (lbs)
2" IPS x 1/2" CTS	DR 11	10	1049846 ^{C, UP}	4.25	2.8	1049843 ^{C, UP}	16.25"	10
2" IPS x 1/2" IPS	DR 11	10	1062293	4.25	2.8	1089983	16.25"	10
2" IPS x 3/4" IPS	DR 11	10	1049842 ^{C, UP}	4.25	2.8	1097480 ^{C, UP}	16.25"	10
2" IPS x 1" CTS	DR 11	10	1100221 ^{C, UP}	4.25	2.8	1112689 ^{C, UP}	16.25"	10
3" IPS x 1/2" CTS	DR 11	10	1049885 ^{C, UP}	4	7.2	1049887 ^{C, UP}	16.25"	10
3" IPS x 3/4" IPS	DR 11	10	1049882 ^{C, UP}	4	7.2	1103425 ^{C, UP}	16.25"	10
4" IPS x 1/2" CTS	DR 11	10	1049982 ^{C, UP}	4	9.0	1049932 ^{C, UP}	16.25"	10
4" IPS x 1/2" IPS	DR 11	10	1049935	4	9.0	1089984	16.25"	10
4" IPS x 3/4" IPS	DR 11	10	1049931 ^{C, UP}	4	9.0	1103426 ^{C, UP}	16.25"	10
4" IPS x 1" CTS	DR 11	10	1100232 ^{C, UP}	4	29.0	1101444 ^{C, UP}	16.25"	10
4" IPS x 1/2" CTS	DR 13.5	10	1076494	4	18.4	1076492	16.25"	10
6" IPS x 1/2" CTS	DR 11	5	1047170 ^{C, UP}	5.2	12.17	1049988 ^{C, UP}	17.20"	5
6" IPS x 3/4" IPS	DR 11	5	1047163 ^{C, UP}	5.2	16.0	-	17.20"	5
6" IPS x 1" CTS	DR 11	5	1047164	5.2	16.0	1047165 ^{C, UP}	17.20"	5
6" IPS x 1/2" CTS	DR 13.5	5	1047161	5.2	13.0	1076493	17.20"	5
6" IPS x 3/4" IPS	DR 13.5	5	1103376	5.2	13.0	-	17.20"	5
6" IPS x 1" CTS	DR 13.5	5	1066615	5.2	13.0	-	17.20"	5
8" IPS x 3/4" IPS	DR 11	1	1095806 ^{C, UP}	5	5.23	1095805 ^{C, UP}	17.00"	1
8" IPS x 1" CTS	DR 11	1	1047177 ^{C, UP}	5	5.23	1077470 ^{C, UP}	17.00"	1
8" IPS x 1/2" CTS	DR 13.5	1	1062719	5	5.23	1083149	17.00"	1
8" IPS x 1" CTS	DR 13.5	1	1087133	5	5.23	1087132	17.00"	1

This product flyer is intended for reference purposes. It should not be used in place of the advice from a licensed Professional Engineer. Additional fitting sizes and DR available. Contact Performance Pipe. www.performancepipe.com

Legend	
C – CSA	UP – Uniform Plumbing Code™