

DriscoPlex® MDPE and HDPE Molded Fitting

Molded Standard Gas Tapping Tee

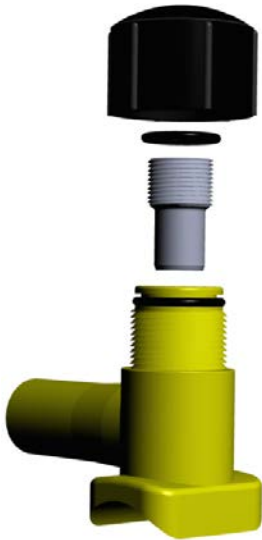


DriscoPlex® MDPE and HDPE Molded Fittings are certified by NSF International to comply with the system specifications ASTM D2513 and CSA B137.4 for Gas, and with AWWA C906 for Water. NSF International conducts a comprehensive three-part program to ensure the quality and safety of the polyethylene gas distribution pipe and fittings manufactured by Performance Pipe. This certification provides the highest confidence to gas utilities, code/regulatory officials and consumers.

DriscoPlex® MDPE and HDPE Molded Fittings also comply with product specifications ASTM D3261, D2683 and F2897. DriscoPlex® HDPE molded fittings also meet the performance requirements of API 15LE.

Produced from only the highest rated MDPE and HDPE material, DriscoPlex® Fittings are manufactured from both PE 2708 resins and NSF-61 approved PE 4710 resins that are listed for gas distribution in PPI-TR4.

DriscoPlex® PE Fitting Advantages:

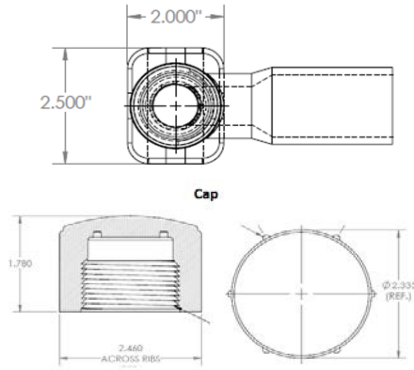


- ✓ Durable
- ✓ Leak Tight
- ✓ Excellent Flow
- ✓ Easy Install
- ✓ Light Weight
- ✓ Impact Resistant
- ✓ Fusibility
- ✓ Corrosion Resistant
- ✓ Chemical Resistant
- ✓ Life Cycle Cost
- ✓ Toughness
- ✓ Environmental

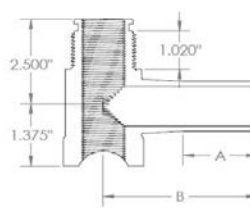
DriscoPlex® PE Fittings Material Physical Properties

Property	Standard	HDPE Typical Values	MDPE Typical Values
Material Designation	ASTM F412	PE4710	PE 2708
Cell Classification	ASTM D3350	445574C (Black)	234373E
Density [4]	ASTM D1505	0.960 g/cc (Black)	0.939 g/cc (Yellow)
Melt Index [4]	ASTM D1238	0.08 g/10 min	0.18 g/10 min
Flexural Modulus [5]	ASTM D790	>120,000 psi	> 90,000 psi
Tensile Strength [5]	ASTM D638 Type IV	>3500 psi	> 2800 psi
SCG (PENT) [7]	ASTM F1473	10,000 hours	> 2000 hours
HDB at 73°F (23°C) [4]	ASTM D2837	1600 psi	1250 psi
Color; UV stabilizer [C] [E]	ASTM D3350	Black –	– Yellow

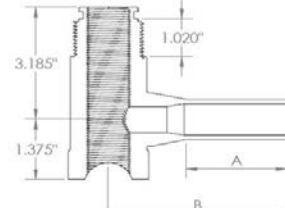
Main Saddle Size



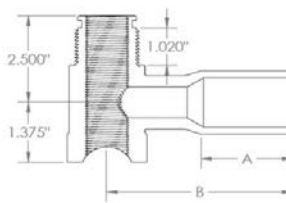
Standard Chimney / Style "A" Outlet



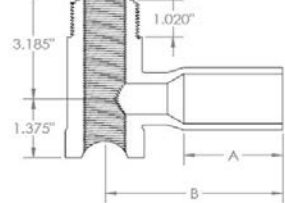
Extended Chimney / Style "A" Outlet



Standard Chimney / Style "B" Outlet



Extended Chimney / Style "B" Outlet



Butt Rectangular Base MDPE

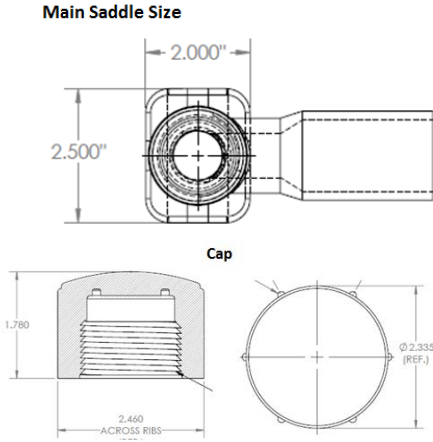
Outlet	Main Size (IPS)	DR/W all	Cutter	Chimney & Style	Dimension A / B (in)	No Sleeve (Standard)			With Sleeve (Non-Standard)			
						Box wt. (lbs)	Package	Part #	Box wt. (lbs)	Sleeve	Package	Part #
1/2" CTS	1-1/4"	0.090	0.8	Std / "A"	1.68 / 4.86	6.4	10pkg/bx	1118114	8.1	PS1-12	10pkg/bx	1118160
	2"	0.090	0.8	Std / "A"	1.68 / 4.86	6.4	10pkg/bx	1118116	8.1	PS1-12	10pkg/bx	1118192
	3"	0.090	0.8	Std / "A"	1.68 / 4.86	6.4	10pkg/bx	1118117	8.1	PS1-12	10pkg/bx	1118193
	4"	0.090	0.80 XL	Std / "A"	1.68 / 4.86	6.4	10pkg/bx	1118118	8.1	PS1-12	10pkg/bx	1118194
	6"	0.090	0.80 XL9	Std / "A"	1.68 / 4.86	6.5	10pkg/bx	1118119	8.2	PS1-12	10pkg/bx	1118195
	8"	0.090	0.80 XXL	Ext / "A"	1.68 / 4.86	4.0	5pkg/bx	1118120	10.1	PS1-12	10pkg/bx	1118196
1/2" IPS	1-1/4"	DR 9.3	0.8	Std / "A"	2.00 / 4.65	6.4	10pkg/bx	1118123	8.7	PS1A-12	10pkg/bx	1118199
	2"	DR 9.3	0.8	Std / "A"	2.00 / 4.65	6.4	10pkg/bx	1118125	8.7	PS1A-12	10pkg/bx	1118201
	3"	DR 9.3	0.8	Std / "A"	2.00 / 4.65	6.4	10pkg/bx	1118126	8.7	PS1A-12	10pkg/bx	1118202
	4"	DR 9.3	0.80 XL	Std / "A"	2.00 / 4.65	6.4	10pkg/bx	1118127	8.7	PS1A-12	10pkg/bx	1118203
	6"	DR 9.3	0.80 XL9	Std / "A"	2.00 / 4.65	6.5	10pkg/bx	1118423	8.8	PS1A-12	10pkg/bx	1118424
	8"	DR 9.3	0.80 XXL	Ext / "A"	2.00 / 4.65	4.0	5pkg/bx	1118128	10.6	PS1A-12	10pkg/bx	1118204
3/4" IPS	1-1/4"	DR 11	0.8	Std / "A"	2.44 / 4.32	6.4	10pkg/bx	1118140	8.7	PS1A-12	10pkg/bx	1118220
	2"	DR 11	0.8	Std / "A"	2.44 / 4.32	6.4	10pkg/bx	1118142	8.7	PS1A-12	10pkg/bx	1118222
	3"	DR 11	0.8	Std / "A"	2.44 / 4.32	6.4	10pkg/bx	1118143	8.7	PS1A-12	10pkg/bx	1118223
	4"	DR 11	0.80 XL	Std / "A"	2.44 / 4.32	6.4	10pkg/bx	1118144	8.7	PS1A-12	10pkg/bx	1118224
	6"	DR 11	0.80 XL9	Std / "A"	2.44 / 4.32	6.5	10pkg/bx	1118146	8.8	PS1A-12	10pkg/bx	1118225
	8"	DR 11	0.80 XXL	Ext / "A"	2.44 / 4.32	4.0	5pkg/bx	1118147	10.6	PS1A-12	10pkg/bx	1118226
1" CTS	1-1/4"	0.102	0.8	Std / "A"	2.48 / 4.34	6.4	10pkg/bx	1118164	8.7	PS1A-12	10pkg/bx	1118096
	2"	0.102	0.8	Std / "A"	2.48 / 4.34	6.4	10pkg/bx	1118166	8.7	PS1A-12	10pkg/bx	1118098
	3"	0.102	0.8	Std / "A"	2.48 / 4.34	6.4	10pkg/bx	1118167	8.7	PS1A-12	10pkg/bx	1118099
	4"	0.102	0.80 XL	Std / "A"	2.48 / 4.34	6.4	10pkg/bx	1118168	8.7	PS1A-12	10pkg/bx	1118100
	6"	0.102	0.80 XL9	Std / "A"	2.48 / 4.34	6.5	10pkg/bx	1118169	8.8	PS1A-12	10pkg/bx	1118101
	8"	0.102	0.80 XXL	Ext / "A"	2.48 / 4.34	4.0	5pkg/bx	1118170	10.6	PS1A-12	10pkg/bx	1118242
1" IPS	1-1/4"	DR 11	0.8	Std / "A"	2.70 / 3.78	6.4	10pkg/bx	1118174	9.2	PS2-12	10pkg/bx	1118254
	2"	DR 11	0.8	Std / "A"	2.70 / 3.78	6.4	10pkg/bx	1118176	9.2	PS2-12	10pkg/bx	1118256
	3"	DR 11	0.8	Std / "A"	2.70 / 3.78	6.4	10pkg/bx	1118177	9.2	PS2-12	10pkg/bx	1118257
	4"	DR 11	0.80 XL	Std / "A"	2.70 / 3.78	6.4	10pkg/bx	1118178	9.2	PS2-12	10pkg/bx	1118258
	6"	DR 11	0.80 XL9	Std / "A"	2.70 / 3.78	6.5	10pkg/bx	1118179	9.3	PS2-12	10pkg/bx	1118259
	8"	DR 11	0.80 XXL	Ext / "A"	2.70 / 3.78	4.0	5pkg/bx	1118180	11.2	PS2-12	10pkg/bx	1118260
1-1/4" IPS	1-1/4"	DR 10	0.8	Std / "B"	2.25 / 4.39	6.4	10pkg/bx	1118183 ^X	10.4	PS3-12	10pkg/bx	1118263 ^X
	2"	DR 10	0.8	Std / "B"	2.25 / 4.39	6.4	10pkg/bx	1118185 ^X	10.4	PS3-12	10pkg/bx	1118265 ^X
	3"	DR 10	0.8	Std / "B"	2.25 / 4.39	6.4	10pkg/bx	1118186 ^X	10.4	PS3-12	10pkg/bx	1118266 ^X
	4"	DR 10	0.80 XL	Std / "B"	2.25 / 4.39	6.4	10pkg/bx	1118187 ^X	10.4	PS3-12	10pkg/bx	1118267 ^X
	6"	DR 10	0.80 XL9	Std / "B"	2.25 / 4.39	6.5	10pkg/bx	1118188 ^X	10.5	PS3-12	10pkg/bx	1118268 ^X
	8"	DR 10	0.80 XXL	Ext / "B"	2.25 / 4.39	4.0	5pkg/bx	1118189 ^X	12.4	PS3-12	10pkg/bx	1118269 ^X
10"-18"	DR 10	0.80 XXL	Ext / "B"	2.25 / 4.39	4.0	5pkg/bx	See Note 1 ^X	12.4	PS3-12	10pkg/bx	See Note 1 ^X	

Note 1 – Refer to Gas Distribution Technical Note PP 14.02 for cutter length limitations.

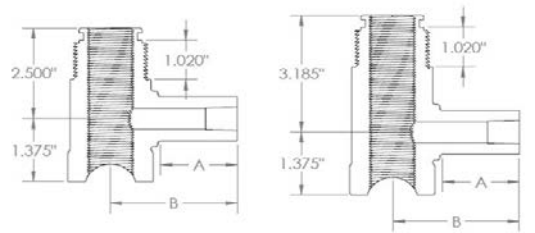
Butt Rectangular Base HDPE

Outlet	Main Size (IPS)	DR/Wall	Dimension A / B (in)	Chimney & Style	Cutter	No Sleeve (Standard)			With Sleeve (Non-Standard)			
						Box wt. (lbs)	Package	Part #	Box wt. (lbs)	Sleeve	Package	Part #
1/2" CTS	1-1/4"	0.090	1.68 / 4.86	Std / "A"	0.80	6.4	10pkg/bx	1117722	8.1	PS1-12	10pkg/bx	1117772
	2"	0.090	1.68 / 4.86	Std / "A"	0.80	6.4	10pkg/bx	1117724	8.1	PS1-12	10pkg/bx	1117775
	3"	0.090	1.68 / 4.86	Std / "A"	0.80	6.4	10pkg/bx	1117725	8.1	PS1-12	10pkg/bx	1117776
	4"	0.090	1.68 / 4.86	Std / "A"	0.80 XL	6.4	10pkg/bx	1117726	8.1	PS1-12	10pkg/bx	1117777
	6"	0.090	1.68 / 4.86	Std / "A"	0.80 XL9	6.5	10pkg/bx	1117727	8.2	PS1-12	10pkg/bx	1117778
	8"	0.090	1.68 / 4.86	Ext / "A"	0.80 XXL	4.0	5pkg/bx	1117728	10.1	PS1-12	10pkg/bx	1117779
	10"-18"	0.090	1.68 / 4.86	Ext / "A"	0.80 XXL	4.0	5pkg/bx	See Note 1	10.1	PS1-12	10pkg/bx	See Note 1
1/2" IPS	1-1/4"	DR 9.3	2.00 / 4.65	Std / "A"	0.80	6.4	10pkg/bx	1117729	8.7	PS1A-12	10pkg/bx	
	2"	DR 9.3	2.00 / 4.65	Std / "A"	0.80	6.4	10pkg/bx	1117732	8.7	PS1A-12	10pkg/bx	
	3"	DR 9.3	2.00 / 4.65	Std / "A"	0.80	6.4	10pkg/bx	1117733	8.7	PS1A-12	10pkg/bx	
	4"	DR 9.3	2.00 / 4.65	Std / "A"	0.80 XL	6.4	10pkg/bx	1117734	8.7	PS1A-12	10pkg/bx	
	6"	DR 9.3	2.00 / 4.65	Std / "A"	0.80 XL9	6.5	10pkg/bx	1117735	8.8	PS1A-12	10pkg/bx	
	8"	DR 9.3	2.00 / 4.65	Ext / "A"	0.80 XXL	4.0	5pkg/bx	1117736	10.6	PS1A-12	10pkg/bx	
	10"-18"	DR 9.3	2.00 / 4.65	Ext / "A"	0.80 XXL	4.0	5pkg/bx	See Note 1	10.6	PS1A-12	10pkg/bx	See Note 1
3/4" IPS	1-1/4"	DR 11	2.44 / 4.32	Std / "A"	0.80	6.4	10pkg/bx	1117742	8.7	PS1A-12	10pkg/bx	1117809
	2"	DR 11	2.44 / 4.32	Std / "A"	0.80	6.4	10pkg/bx	1117744	8.7	PS1A-12	10pkg/bx	1117810
	3"	DR 11	2.44 / 4.32	Std / "A"	0.80	6.4	10pkg/bx	1117745	8.7	PS1A-12	10pkg/bx	1117874
	4"	DR 11	2.44 / 4.32	Std / "A"	0.80 XL	6.4	10pkg/bx	1117746	8.7	PS1A-12	10pkg/bx	1117852
	6"	DR 11	2.44 / 4.32	Std / "A"	0.80 XL9	6.5	10pkg/bx	1117720	8.8	PS1A-12	10pkg/bx	1117875
	8"	DR 11	2.44 / 4.32	Ext / "A"	0.80 XXL	4.0	5pkg/bx	1117747	10.6	PS1A-12	10pkg/bx	1117876
	10"-18"	DR 11	2.44 / 4.32	Ext / "A"	0.80 XXL	4.0	5pkg/bx	See Note 1	10.6	PS1A-12	10pkg/bx	See Note 1
1" CTS	1-1/4"	0.090	2.48 / 4.34	Std / "A"	0.80	6.4	10pkg/bx	1117748	8.7	PS1A-12	10pkg/bx	1117957
	2"	0.090	2.48 / 4.34	Std / "A"	0.80	6.4	10pkg/bx	1117750	8.7	PS1A-12	10pkg/bx	1117959
	3"	0.090	2.48 / 4.34	Std / "A"	0.80	6.4	10pkg/bx	1117751	8.7	PS1A-12	10pkg/bx	1117960
	4"	0.090	2.48 / 4.34	Std / "A"	0.80 XL	6.4	10pkg/bx	1117752	8.7	PS1A-12	10pkg/bx	1117961
	6"	0.090	2.48 / 4.34	Std / "A"	0.80 XL9	6.5	10pkg/bx	1117753	8.8	PS1A-12	10pkg/bx	1117962
	8"	0.090	2.48 / 4.34	Ext / "A"	0.80 XXL	4.0	5pkg/bx	1117754	10.6	PS1A-12	10pkg/bx	1117963
	10"-18"	0.090	2.48 / 4.34	Ext / "A"	0.80 XXL	4.0	5pkg/bx	See Note 1	10.6	PS1A-12	10pkg/bx	See Note 1
1" IPS	1-1/4"	DR 11	2.70 / 3.78	Std / "A"	0.80	6.4	10pkg/bx	1117801	9.2	PS2-12	10pkg/bx	1117974
	2"	DR 11	2.70 / 3.78	Std / "A"	0.80	6.4	10pkg/bx	1117813	9.2	PS2-12	10pkg/bx	1117976
	3"	DR 11	2.70 / 3.78	Std / "A"	0.80	6.4	10pkg/bx	1117815	9.2	PS2-12	10pkg/bx	1117977
	4"	DR 11	2.70 / 3.78	Std / "A"	0.80 XL	6.4	10pkg/bx	1117816	9.2	PS2-12	10pkg/bx	1117978
	6"	DR 11	2.70 / 3.78	Std / "A"	0.80 XL9	6.5	10pkg/bx	1117817	9.3	PS2-12	10pkg/bx	1117979
	8"	DR 11	2.70 / 3.78	Ext / "A"	0.80 XXL	4.0	5pkg/bx	1117818	11.2	PS2-12	10pkg/bx	1117980
	10"-18"	DR 11	2.70 / 3.78	Ext / "A"	0.80 XXL	4.0	5pkg/bx	See Note 1	11.2	PS2-12	10pkg/bx	See Note 1
1-1/4" IPS	1-1/4"	DR 11	2.25 / 4.39	Std / "B"	0.80	6.4	10pkg/bx	1117755 ^X	10.4	PS3-12	10pkg/bx	1117877 ^X
	2"	DR 11	2.25 / 4.39	Std / "B"	0.80	6.4	10pkg/bx	1117757	10.4	PS3-12	10pkg/bx	1117879
	3"	DR 11	2.25 / 4.39	Std / "B"	0.80	6.4	10pkg/bx	1117758	10.4	PS3-12	10pkg/bx	1117880
	4"	DR 11	2.25 / 4.39	Std / "B"	0.80 XL	6.4	10pkg/bx	1117759	10.4	PS3-12	10pkg/bx	1117881
	6"	DR 11	2.25 / 4.39	Std / "B"	0.80 XL9	6.5	10pkg/bx	1117760	10.5	PS3-12	10pkg/bx	1117882
	8"	DR 11	2.25 / 4.39	Ext / "B"	0.80 XXL	4.0	5pkg/bx	1117761	12.4	PS3-12	10pkg/bx	1117883
	10"-18"	DR 11	2.25 / 4.39	Ext / "B"	0.80 XXL	4.0	5pkg/bx	See Note 1	12.4	PS3-12	10pkg/bx	See Note 1

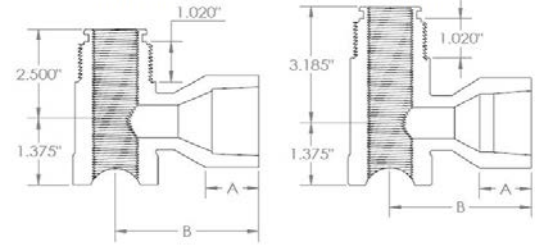
Note 1 – Refer to Gas Distribution Technical Note PP 14.02 for cutter length limitations.



Standard Chimney / Style "A" Outlet Extended Chimney / Style "A" Outlet



Standard Chimney / Style "B" Outlet Extended Chimney / Style "B" Outlet



Socket Rectangular Base MDPE

Outlet	Main Size (IPS)	Dimension A / B (in)	Chimney & Style	Cutter	No Sleeve (Non-Standard)			With Sleeve (Standard)			
					Box wt. (lbs)	Package	Part #	Box wt. (lbs)	Sleeve	Package	Part #
1/2" CTS	1-1/4"	1.73 / 2.90	Std / "A"	0.80	6.3	10pkg/bx	1118272	8.1	PS1-12	10pkg/bx	1118229
	2"	1.73 / 2.90	Std / "A"	0.80	6.3	10pkg/bx	1118274	8.1	PS1-12	10pkg/bx	1118231
	3"	1.73 / 2.90	Std / "A"	0.80	6.3	10pkg/bx	1118275	8.1	PS1-12	10pkg/bx	1118322
	4"	1.73 / 2.90	Std / "A"	0.80 XL	6.3	10pkg/bx	1118276	8.1	PS1-12	10pkg/bx	1118323
	6"	1.73 / 2.90	Std / "A"	0.80 XL9	6.4	10pkg/bx	1118277	8.2	PS1-12	10pkg/bx	1118324
	8"	1.73 / 2.90	Ext / "A"	0.80 XXL	3.9	5pkg/bx	1118278	9.2	PS1-12	10pkg/bx	1118325
	10"-18"	1.73 / 2.90	Ext / "A"	0.80 XXL	3.9	5pkg/bx	See Note 1	9.2	PS1-12	10pkg/bx	See Note 1
1/2" IPS	1-1/4"	1.85 / 2.97	Std / "A"	0.80	6.3	10pkg/bx	1118272	8.7	PS1A-12	10pkg/bx	1118329
	2"	1.85 / 2.97	Std / "A"	0.80	6.3	10pkg/bx	1118274	8.7	PS1A-12	10pkg/bx	1118331
	3"	1.85 / 2.97	Std / "A"	0.80	6.3	10pkg/bx	1118275	8.7	PS1A-12	10pkg/bx	1118332
	4"	1.85 / 2.97	Std / "A"	0.80 XL	6.3	10pkg/bx	1118276	8.7	PS1A-12	10pkg/bx	1118333
	6"	1.85 / 2.97	Std / "A"	0.80 XL9	6.4	10pkg/bx	1118277	8.8	PS1A-12	10pkg/bx	1118425
	8"	1.85 / 2.97	Ext / "A"	0.80 XXL	3.9	5pkg/bx	1118278	9.8	PS1A-12	10pkg/bx	1118334
	10"-18"	1.85 / 2.97	Ext / "A"	0.80 XXL	3.9	5pkg/bx	See Note 1	9.8	PS1A-12	10pkg/bx	See Note 1
3/4" IPS	1-1/4"	1.88 / 2.98	Std / "A"	0.80	6.3	10pkg/bx	1118290	9.2	PS2-12	10pkg/bx	1118337
	2"	1.88 / 2.98	Std / "A"	0.80	6.3	10pkg/bx	1118292	9.2	PS2-12	10pkg/bx	1118339
	3"	1.88 / 2.98	Std / "A"	0.80	6.3	10pkg/bx	1118293	9.2	PS2-12	10pkg/bx	1118340
	4"	1.88 / 2.98	Std / "A"	0.80 XL	6.3	10pkg/bx	1118294	9.2	PS2-12	10pkg/bx	1118341
	6"	1.88 / 2.98	Std / "A"	0.80 XL9	6.4	10pkg/bx	1118295	9.3	PS2-12	10pkg/bx	1118342
	8"	1.88 / 2.98	Ext / "A"	0.80 XXL	3.9	5pkg/bx	1118296	10.3	PS2-12	10pkg/bx	1118343
	10"-18"	1.88 / 2.98	Ext / "A"	0.80 XXL	3.9	5pkg/bx	See Note 1	10.3	PS2-12	10pkg/bx	See Note 1
1" CTS	1-1/4"	0.85 / 2.95	Std / "A"	0.80	6.3	10pkg/bx	1118234	10.4	PS3-12	10pkg/bx	1118346
	2"	0.85 / 2.95	Std / "A"	0.80	6.3	10pkg/bx	1118236	10.4	PS3-12	10pkg/bx	1118348
	3"	0.85 / 2.95	Std / "A"	0.80	6.3	10pkg/bx	1118237	10.4	PS3-12	10pkg/bx	1118349
	4"	0.85 / 2.95	Std / "A"	0.80 XL	6.3	10pkg/bx	1118238	10.4	PS3-12	10pkg/bx	1118350
	6"	0.85 / 2.95	Std / "A"	0.80 XL9	6.4	10pkg/bx	1118239	10.5	PS3-12	10pkg/bx	1118351
	8"	0.85 / 2.95	Ext / "A"	0.80 XXL	3.9	5pkg/bx	1118240	11.5	PS3-12	10pkg/bx	1118352
	10"-18"	0.85 / 2.95	Ext / "A"	0.80 XXL	3.9	5pkg/bx	See Note 1	11.5	PS3-12	10pkg/bx	See Note 1
1" IPS	1-1/4"	0.85 / 2.97	Std / "A"	0.80	6.3	10pkg/bx	1118303	10.4	PS3-12	10pkg/bx	1118355
	2"	0.85 / 2.97	Std / "A"	0.80	6.3	10pkg/bx	1118305	10.4	PS3-12	10pkg/bx	1118357
	3"	0.85 / 2.97	Std / "A"	0.80	6.3	10pkg/bx	1118306	10.4	PS3-12	10pkg/bx	1118358
	4"	0.85 / 2.97	Std / "A"	0.80 XL	6.3	10pkg/bx	1118307	10.4	PS3-12	10pkg/bx	1118359
	6"	0.85 / 2.97	Std / "A"	0.80 XL9	6.4	10pkg/bx	1118308	10.5	PS3-12	10pkg/bx	1118360
	8"	0.85 / 2.97	Ext / "A"	0.80 XXL	3.9	5pkg/bx	1118309	11.5	PS3-12	10pkg/bx	1118361
	10"-18"	0.85 / 2.97	Ext / "A"	0.80 XXL	3.9	5pkg/bx	See Note 1	11.5	PS3-12	10pkg/bx	See Note 1
1-1/4" IPS	1-1/4"	1.20 / 3.28	Std / "B"	0.80	6.4	10pkg/bx	1118312 ^X	6.8	PS4-12	5pkg/bx	1118364 ^X
	2"	1.20 / 3.28	Std / "B"	0.80	6.4	10pkg/bx	1118314	6.8	PS4-12	5pkg/bx	1118366
	3"	1.20 / 3.28	Std / "B"	0.80	6.4	10pkg/bx	1118315	6.8	PS4-12	5pkg/bx	1118367
	4"	1.20 / 3.28	Std / "B"	0.80 XL	6.4	10pkg/bx	1118316	6.8	PS4-12	5pkg/bx	1118368
	6"	1.20 / 3.28	Std / "B"	0.80 XL9	6.5	10pkg/bx	1118317	6.8	PS4-12	5pkg/bx	1118369
	8"	1.20 / 3.28	Ext / "B"	0.80 XXL	3.9	5pkg/bx	1118318	6.9	PS4-12	5pkg/bx	1118370
	10"-18"	1.20 / 3.28	Ext / "B"	0.80 XXL	3.9	5pkg/bx	See Note 1	6.9	PS4-12	5pkg/bx	See Note 1

Note 1 – Refer to Gas Distribution Technical Note PP 14.02 for cutter length limitations.

Socket Rectangular Base HDPE

Outlet	Main Size (IPS)	Dimension A / B (in)	Chimney & Style	Cutter	No Sleeve (Non-Standard)			With Sleeve (Standard)			
					Box wt. (lbs)	Package	Part #	Box wt. (lbs)	Sleeve	Package	Part #
1/2" CTS	1-1/4"	1.73 / 2.90	Std / "A"	0.80	6.3	10pkg/bx	1117928	8.1	PS1-12	10pkg/bx	1118044
	2"	1.73 / 2.90	Std / "A"	0.80	6.3	10pkg/bx	1117930	8.1	PS1-12	10pkg/bx	1118046
	3"	1.73 / 2.90	Std / "A"	0.80	6.3	10pkg/bx	1117931	8.1	PS1-12	10pkg/bx	1118047
	4"	1.73 / 2.90	Std / "A"	0.80 XL	6.3	10pkg/bx	1117992	8.1	PS1-12	10pkg/bx	1118048
	6"	1.73 / 2.90	Std / "A"	0.80 XL9	6.4	10pkg/bx	1117993	8.2	PS1-12	10pkg/bx	1118049
	8"	1.73 / 2.90	Ext / "A"	0.80 XXL	3.9	5pkg/bx	1117995	9.2	PS1-12	10pkg/bx	1118050
	10"-18"	1.73 / 2.90	Ext / "A"	0.80 XXL	3.9	5pkg/bx	See Note 1	9.2	PS1-12	10pkg/bx	See Note 1
1/2" IPS	1-1/4"	1.85 / 2.97	Std / "A"	0.80	6.3	10pkg/bx	1117998	8.7	PS1A-12	10pkg/bx	1118053
	2"	1.85 / 2.97	Std / "A"	0.80	6.3	10pkg/bx	1118000	8.7	PS1A-12	10pkg/bx	1118055
	3"	1.85 / 2.97	Std / "A"	0.80	6.3	10pkg/bx	1118001	8.7	PS1A-12	10pkg/bx	1118056
	4"	1.85 / 2.97	Std / "A"	0.80 XL	6.3	10pkg/bx	1118002	8.7	PS1A-12	10pkg/bx	1118057
	6"	1.85 / 2.97	Std / "A"	0.80 XL9	6.4	10pkg/bx	1118003	8.8	PS1A-12	10pkg/bx	
	8"	1.85 / 2.97	Ext / "A"	0.80 XXL	3.9	5pkg/bx	1118004	9.8	PS1A-12	10pkg/bx	1118058
	10"-18"	1.85 / 2.97	Ext / "A"	0.80 XXL	3.9	5pkg/bx	See Note 1	9.8	PS1A-12	10pkg/bx	See Note 1
3/4" IPS	1-1/4"	1.88 / 2.98	Std / "A"	0.80	6.3	10pkg/bx	1118007	9.2	PS2-12	10pkg/bx	1118061
	2"	1.88 / 2.98	Std / "A"	0.80	6.3	10pkg/bx	1118009	9.2	PS2-12	10pkg/bx	1118063
	3"	1.88 / 2.98	Std / "A"	0.80	6.3	10pkg/bx	1118010	9.2	PS2-12	10pkg/bx	1118064
	4"	1.88 / 2.98	Std / "A"	0.80 XL	6.3	10pkg/bx	1118011	9.2	PS2-12	10pkg/bx	1118065
	6"	1.88 / 2.98	Std / "A"	0.80 XL9	6.4	10pkg/bx	1118012	9.3	PS2-12	10pkg/bx	1118066
	8"	1.88 / 2.98	Ext / "A"	0.80 XXL	3.9	5pkg/bx	1118013	10.3	PS2-12	10pkg/bx	1118067
	10"-18"	1.88 / 2.98	Ext / "A"	0.80 XXL	3.9	5pkg/bx	See Note 1	10.3	PS2-12	10pkg/bx	See Note 1
1" CTS	1-1/4"	0.85 / 2.95	Std / "A"	0.80	6.3	10pkg/bx	1118016	10.4	PS3-12	10pkg/bx	1118070
	2"	0.85 / 2.95	Std / "A"	0.80	6.3	10pkg/bx	1118018	10.4	PS3-12	10pkg/bx	1118072
	3"	0.85 / 2.95	Std / "A"	0.80	6.3	10pkg/bx	1118019	10.4	PS3-12	10pkg/bx	1118073
	4"	0.85 / 2.95	Std / "A"	0.80 XL	6.3	10pkg/bx	1118020	10.4	PS3-12	10pkg/bx	1118074
	6"	0.85 / 2.95	Std / "A"	0.80 XL9	6.4	10pkg/bx	1118021	10.5	PS3-12	10pkg/bx	1118075
	8"	0.85 / 2.95	Ext / "A"	0.80 XXL	3.9	5pkg/bx	1118022	11.5	PS3-12	10pkg/bx	1118076
	10"-18"	0.85 / 2.95	Ext / "A"	0.80 XXL	3.9	5pkg/bx	See Note 1	11.5	PS3-12	10pkg/bx	See Note 1
1" IPS	1-1/4"	0.85 / 2.97	Std / "A"	0.80	6.3	10pkg/bx	1118025	10.4	PS3-12	10pkg/bx	1117905
	2"	0.85 / 2.97	Std / "A"	0.80	6.3	10pkg/bx	1118027	10.4	PS3-12	10pkg/bx	1117907
	3"	0.85 / 2.97	Std / "A"	0.80	6.3	10pkg/bx	1118028	10.4	PS3-12	10pkg/bx	1117908
	4"	0.85 / 2.97	Std / "A"	0.80 XL	6.3	10pkg/bx	1118029	10.4	PS3-12	10pkg/bx	1117909
	6"	0.85 / 2.97	Std / "A"	0.80 XL9	6.4	10pkg/bx	1118030	10.5	PS3-12	10pkg/bx	1117910
	8"	0.85 / 2.97	Ext / "A"	0.80 XXL	3.9	5pkg/bx	1118031	11.5	PS3-12	10pkg/bx	1118102
	10"-18"	0.85 / 2.97	Ext / "A"	0.80 XXL	3.9	5pkg/bx	See Note 1	11.5	PS3-12	10pkg/bx	See Note 1
1-1/4" IPS	1-1/4"	1.20 / 3.28	Std / "B"	0.80	6.4	10pkg/bx	1118034 ^X	12.7	PS4-12	10pkg/bx	1118105 ^X
	2"	1.20 / 3.28	Std / "B"	0.80	6.4	10pkg/bx	1118036	12.7	PS4-12	10pkg/bx	1118107
	3"	1.20 / 3.28	Std / "B"	0.80	6.4	10pkg/bx	1118037	12.7	PS4-12	10pkg/bx	1118108
	4"	1.20 / 3.28	Std / "B"	0.80 XL	6.4	10pkg/bx	1118039	12.7	PS4-12	10pkg/bx	1118109
	6"	1.20 / 3.28	Std / "B"	0.80 XL9	6.5	10pkg/bx	1118040	12.8	PS4-12	10pkg/bx	1118110
	8"	1.20 / 3.28	Ext / "B"	0.80 XXL	3.9	5pkg/bx	1118041	13.5	PS4-12	10pkg/bx	1118111
	10"-18"	1.20 / 3.28	Ext / "B"	0.80 XXL	3.9	5pkg/bx	See Note 1	13.5	PS4-12	10pkg/bx	See Note 1

Note 1 – Refer to Gas Distribution Technical Note PP 14.02 for cutter length limitations.

Legend

All part numbers shown above are certified to CSA and the Uniform Plumbing Code™ per NSF unless marked with an ^X