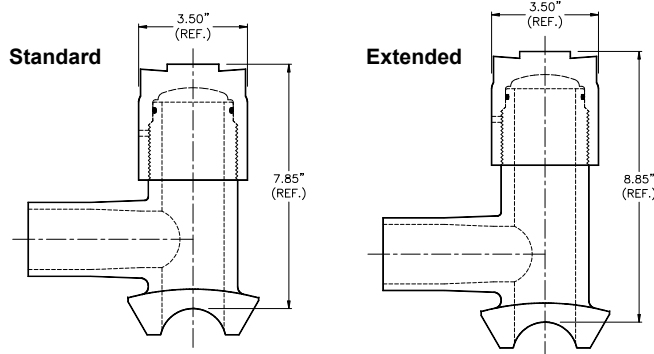


High Volume Gas Tapping Tee*
O-Ring Seal
Butt/Socket Outlet
Standard/Extended Chimney
Square Base

Produced to ASTM D2513, D3261 or D2683

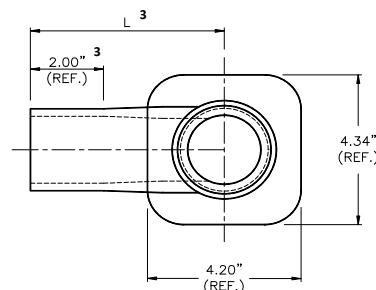


| Main Size | Outlet Size | Butt Outlet DR/Wall | Dimension L (in) | Protective Sleeves | Package Weight for Std. Chimney (lbs.) | | Package Weight for Ext. Chimney (lbs.) | | Reference Number |
|---------------------------|-------------------------|---------------------|------------------|--------------------|--|---------|--|---------|------------------|
| | | | | | With | Without | With | Without | |
| 2" - 18" IPS ¹ | 1 1/4" CTS | 0.121 | 5.9 | PS5 | 31.2 | 21.2 | 35.2 | 25.2 | *M*HVBTT* |
| | 1 1/4" IPS (Butt) | DR 9 | 5.3 | | 31.2 | 21.2 | 35.2 | 25.2 | |
| | | DR 11 | | | 31.2 | 21.2 | 35.2 | 25.2 | |
| | 1 1/4" IPS (Socket-Fab) | N/A | N/A | PS5 | 34.2 | 24.2 | 38.2 | 28.2 | *F*HVSTT* |
| | 2" IPS (Butt) | DR 9 | DR 11 | 5.3 | PS5 | 32.6 | 21.6 | 36.6 | 25.6 |
| 30.6 | | | | | | 20.6 | 34.6 | 24.6 | |
| 2" IPS (Socket-Fab) | N/A | N/A | N/A | PS6 | 33.6 | 23.6 | 37.6 | 27.6 | *F*HVSTT* |

¹ - See Bulletin PP 11.03 for cutter limitations
- Drawing No.—CU70D354 for Std Chimney and CU70D360 for Extended Chimney

Standard Package Quantity— 6
24" Sleeve supplied with list price above
Refer to Bulletin PP 11.04 for additional Sleeve sizes

NOTE
Refer to Bulletin PP 11.02 for High Volume Tapping Tee Accessories



³ Dimensions NOT applicable for fabricated fittings with socket coupling

*DriscoPlex[®] tapping tees and cutters are designed and intended to tap polyethylene mains of wall thickness as defined in PP11.03. Special precautions are necessary when working in gaseous environments or elevated temperatures. Consult your Operations and Safety Manuals for specific recommendations. The use of these tapping tees and cutters beyond this