

PACKAGED ODORANT OPTIONS

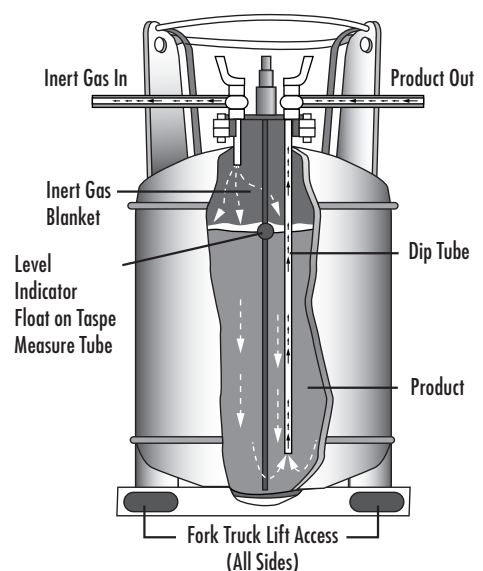
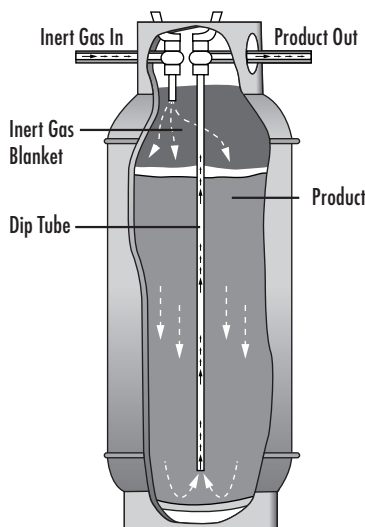


Chevron Phillips Chemicals Company LP (“Chevron Phillips”) offers various cylinder packages in the following sizes: 290, 250, 100, 57, 54, and 5 USG. The 290, 250, and 100 USG carbon steel tanks feature 4-way fork truck entry for easy pick up and transport with power lifting equipment. Containers may be equipped with relief valves and gauging devices upon customer request.* All containers are equipped with vapor valves and liquid valves with dip tubes. Product volumes vary with product density and temperature.

*It is important to note that the gauging device only shows an estimate of the volume of the Scentinel® product in the tank.

RETURNABLE CYLINDER HANDLING AND UNLOADING TIPS

1. Remove the plug from the liquid valve and connect the adapter and hose configuration to the liquid unloading system. Leave valves closed.
2. Remove plug from the vapor valve and connect adapter and hose configuration to inert gas vapor transfer system.
3. Check all fittings for leaks.
4. Slowly open regulated inert gas (nitrogen) into vapor valve and into the tank.
5. The receiving tank’s pressure must be lower than the portable tank’s pressure. If that is not the case, a pump will be needed to transfer material from the portable tank to the receiving tank.
6. Slowly open the liquid valve on the portable tank to start the product flowing into the receiving tank.
7. The tank level may be monitored with the gauging device. Depressurize the portable tank when it is empty. It is important to achieve less than 20 psig of pressure in the portable tank, or the tank will have to be placarded differently per DOT regulations.
8. Close all valves, replace the plugs, and apply Teflon tape to the plugs as a thread sealant. Use a wrench to tighten the plugs.
9. Clean up residuals with an approved method.



Delivering the Scent of Safety

RETURNING A CYLINDER

For containers containing residual odorant, do the following to prepare the container for return:

1. Make sure the container is free of liquid.
2. Depressurize container to atmospheric pressure.
3. Close container valves.
4. Depressurize hoses and check to verify they are free of product.
5. Disconnect hoses.
6. Apply Teflon tape to plugs and then install the plugs in the valves. It is very important that the plugs be wrench tight. Failure to install and properly tighten plugs can result in a release of product during transport and a possible hazardous materials transportation emergency.
7. Wash the plugged valves and top of the cylinder with dilute household bleach and soap solution or a masking agent. This will eliminate residual odors and the possibility of mistaking them for a product leak.

These tips are designed to familiarize you with the proper handling, unloading and return procedures with all returnable containers. Please review the SDS for specific information about the product in the container - www.cpchem.com/GasOdorants/SDS. Also, ensure that hose and fittings materials are compatible with the product being transferred. Chemical spills should be properly handled by first referring to the Department Of Transportation Emergency Response Guidebook (Reference Guide 129-130, page 196-198). More information about the guidebook can be found under "Resources" on www.phmsa.dot.gov. Please call your Chevron Phillips sales representative or Specialty Chemicals Customer Service at 1-800-858-4327 if you have any questions.

The material in these containers is classified as hazardous material by the U.S. Department of Transportation (DOT). DOT regulations in 49 CFR, Parts 100 to 180 govern the shipment of these containers, even when the container is empty and only contains material residue. Failure to comply with these regulations can result in substantial fines and/or imprisonment. In addition, the shipper may be liable for state fines and emergency response costs if a release of product or residue occurs while the container is in transit.

These tips are designed to help you disconnect the container safely and return it to Chevron Phillips in compliance with 49 CFR 173.24. This regulation mandates proper closing of hazardous material containers to prevent release to the environment.

Call your Chevron Phillips sales representative or Specialty Chemicals Customer Service at 1-800-858-4327 to obtain return authorization and preferred carrier assignment. Chevron Phillips pays all return freight costs, so return your container collect to the address specified by your sales representative. All freight bills associated with authorized container return should be sent to:

Chevron Phillips Chemical Company LP | Attn: Specialty Chemicals Customer Service | P.O. Box 4910 | The Woodlands, TX 77387-4910

Please note: credit for all returnable cylinders will not be issued for cylinders kept by the customer longer than one (1) year. Email us with your questions about our products at sc@cpchem.com

PRODUCT SAFETY INFORMATION

Please visit our website for more information about Product Safety and Warnings: Safety Data Sheets: www.cpchem.com/GasOdorants/SDS and Odor-Fade Warning: www.cpchem.com/GasOdorants/Warnings.



www.cpchem.com/specialtychemicals

Chevron Phillips Chemical Company LP
Specialty Chemicals Division
10001 Six Pines Drive
The Woodlands, TX 77380

U.S. Canada & Latin America: 1.800.858.4327
Europe, Africa & Middle East: +32 2 689 1211
Asia Pacific: +65 6517 3100
sc@cpchem.com

Before using this product, the user is advised and cautioned to make its own determination and assessment of the safety and suitability of the product for the specific use in question and is further advised against relying on the information contained herein as it may relate to any specific use or application. It is the ultimate responsibility of the user to ensure that the product is suited and the information is applicable to the user's specific application. Chevron Phillips Chemical Company LP does not make, and expressly disclaims, all warranties, including warranties of merchantability or fitness for a particular purpose, regardless of whether oral or written, express or implied, or allegedly arising from any usage of any trade or from any course of dealing in connection with the use of the information contained herein or the product itself. The user expressly assumes all risk and liability, whether based in contract, tort or otherwise, in connection with the use of the information contained herein or the product itself. Further, information contained herein is given without reference to any intellectual property issues, as well as federal, state or local laws which may be encountered in the use thereof. Such questions should be investigated by the user.