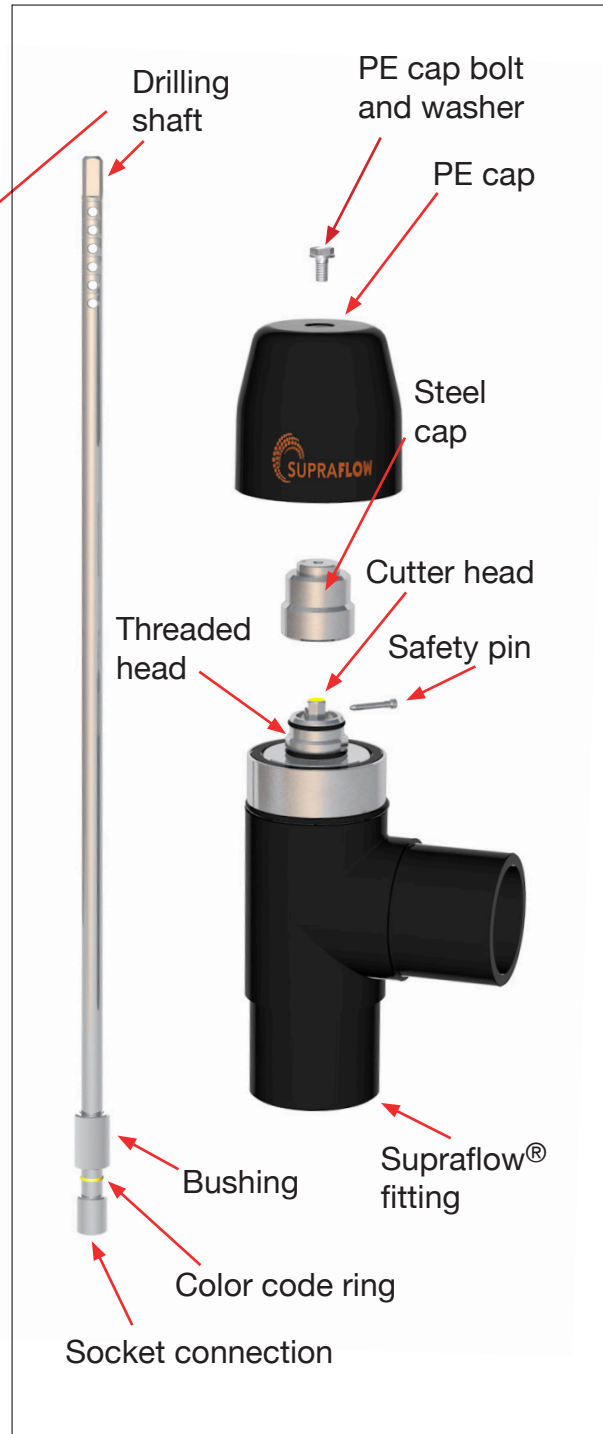
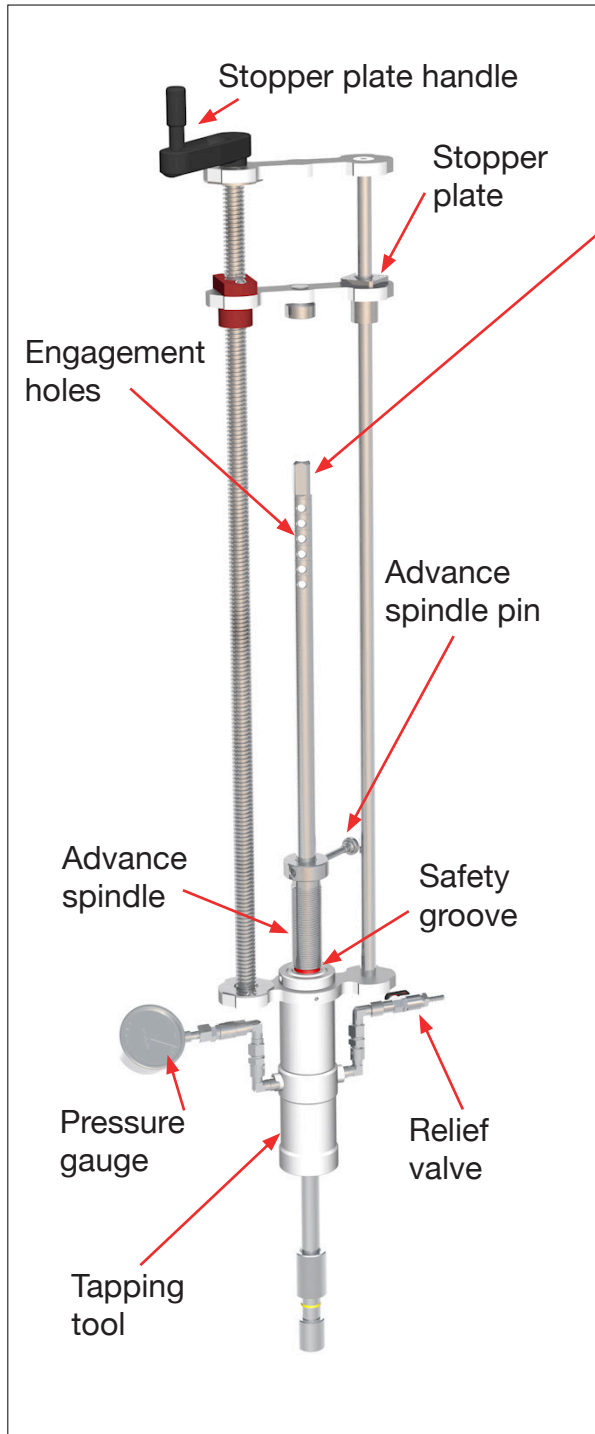


# Step by Step Supraflow® Tapping Instructions

These instructions are for Supraflow® Gas Tapping Tees and Tapping Tools

Read these instructions carefully before proceeding

## Tapping Tool Equipment and Supraflow® Gas Tapping Tee expanded view



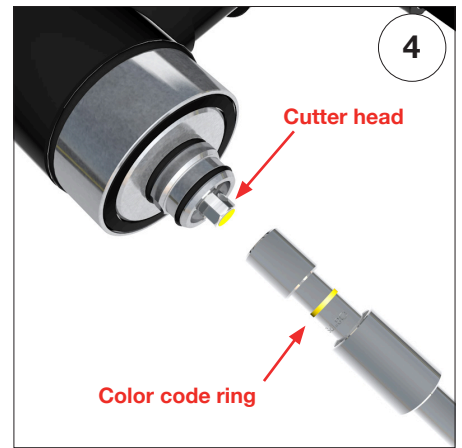
**1** A branch saddle compliant with Supraflow® fitting instructions must be used. Ensure that the branch saddle is fused to the main according to manufacturer's recommendations and industry standards. Fuse the Supraflow® Gas Tap to the branch saddle.

**2** Fuse new, pressure tight, distribution line assembly to outlet of the Supraflow® Gas Tap Tee.



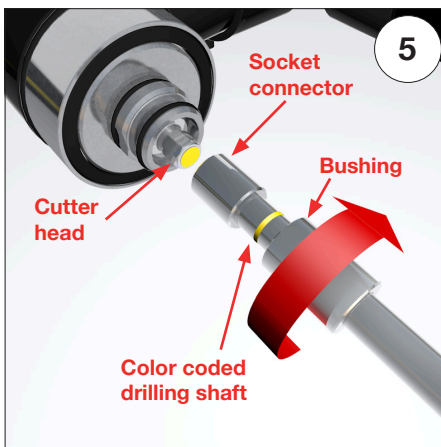
### FITTING SET UP

Using wrenches provided, remove (counterclockwise) **PE cap bolt and washer**, **PE cap**, and **steel cap**. Pull out **safety pin**. Keep everything to the side, **DO NOT** lose these parts.



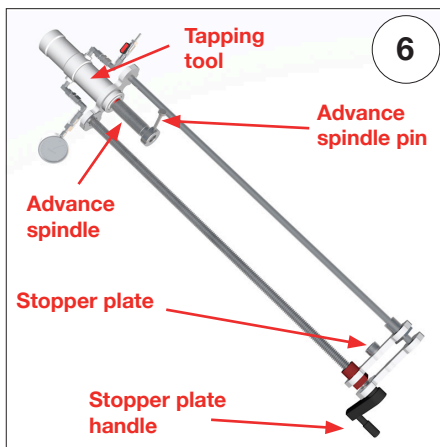
### DRILLING SHAFT CHOICE

Check color mark on top of the **cutter head** and select drilling shaft with matching **color code ring**.



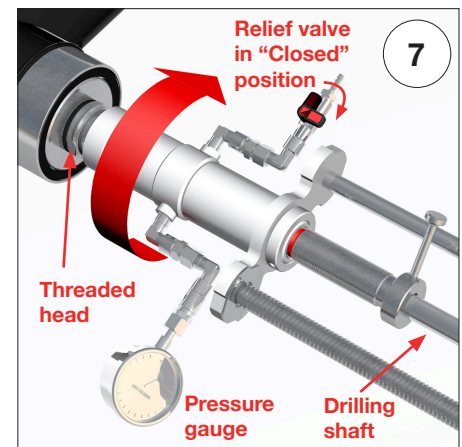
### DRILLING SHAFT ATTACHMENT

Attach drilling shaft **socket connector** to **cutter head**, slide **bushing** over **socket connector**, and **ROTATE bushing** (clockwise) by hand, until it bottoms out. Pull drilling shaft to check it is correctly engaged.



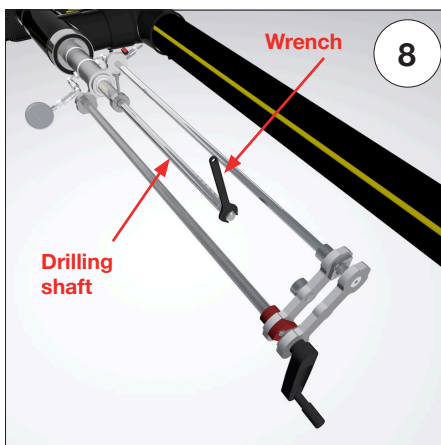
### TAPPING TOOL SET UP

Ensure that: **advance spindle** is in start position (safety groove can be seen), **advance spindle pin** is disengaged (it will not completely detach), and **stopper plate** is fully retracted (rotate **handle** clockwise).



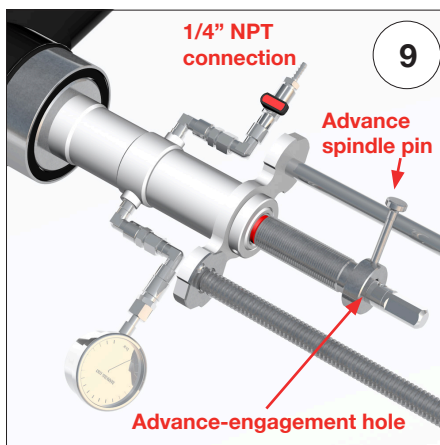
### TAPPING TOOL ATTACHMENT

Slide it over/onto the **drilling shaft** and rotate it (clockwise) onto the **threaded head** of the Supraflow® fitting, by hand, until it bottoms out. Attach **pressure gauge** provided to the quick-connect port and close **relief valve**.



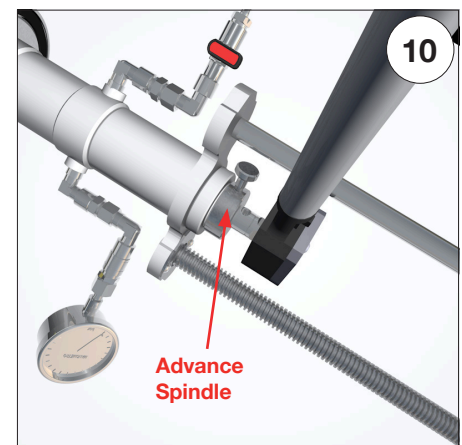
### CUTTER RELEASE

Use **wrench** provided, to rotate **drilling shaft** (approximately 6 clockwise rotations) until cutter is released from its threaded housing and push drilling shaft until cutter is in contact with the pipe main.



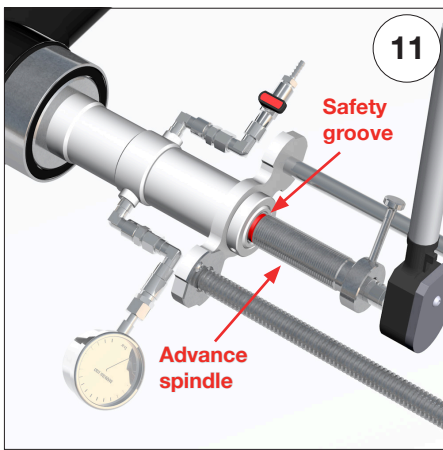
### DRILLING SHAFT ENGAGEMENT

Line-up first **advance-engagement hole** available in drilling shaft and re-engage **advance spindle pin**. **BEFORE TAPPING**, leak test the whole new distribution line. **1/4 inch NPT connection** can be used as an inlet port.



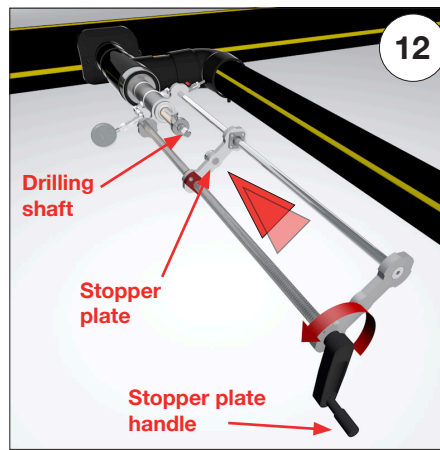
### START TAPPING

Attach ratchet wrench provided to drilling shaft and rotate it (clockwise) to forward cutter through pipe main until **advance spindle** bottoms out. **DO NOT** attach any power drives to drilling shaft.



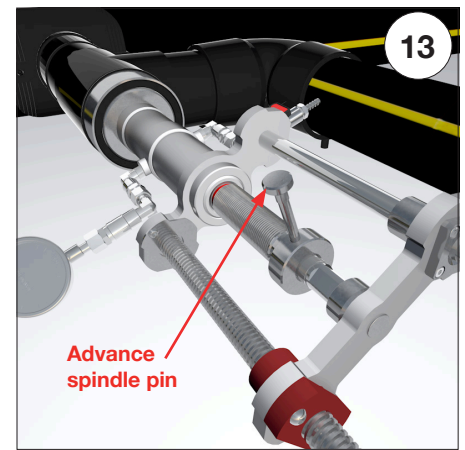
### TAPPING COMPLETION

Reverse ratchet wrench and bring **advance spindle** back (counterclockwise) to the start position. STOP retrieval of advance spindle as soon as **safety groove** is completely visible.



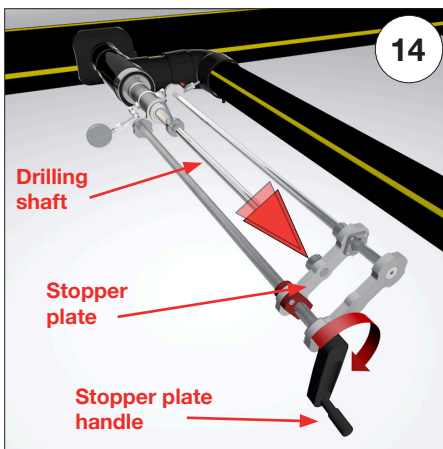
### BACKPUSH CONTROL

Before disengaging advance spindle pin, rotate **stopper plate handle** (counterclockwise) until **stopper plate** contacts **drilling shaft**. Skip step if using low-pressure tapping tool.



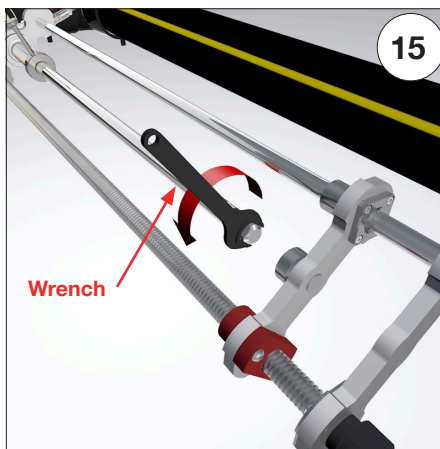
### ADVANCE SPINDLE PIN DISENGAGEMENT

Safely pull out **advance spindle pin** (it will not completely detach). Back-push pressure on the drilling shaft is withheld by stopper plate.



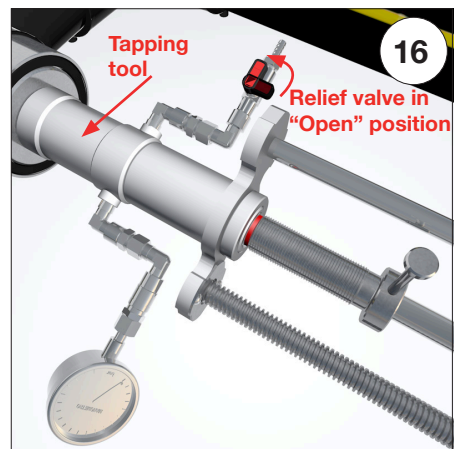
### DRILLING SHAFT RETRACTION

Rotate **stopper plate handle** (clockwise) until it bottoms out. Ensure that **drilling shaft** travels with **stopper plate**; if pressure is not pushing **drilling shaft** out, pull it manually until it can no longer be retracted.



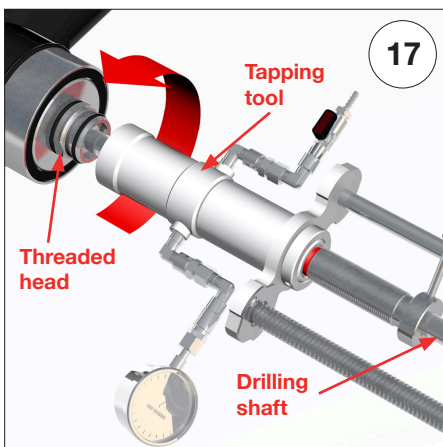
### SECURE CUTTER

Use **wrench** provided to rotate drilling shaft (approximately 6 counterclockwise rotations) until cutter is firmly tightened in its housing.



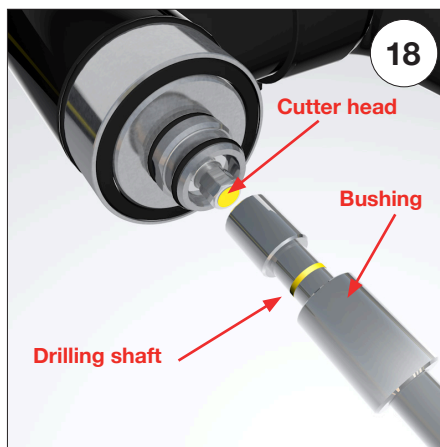
### PRESSURE RELIEF

Release the pressure remaining inside **tapping tool** by opening **relief valve** before removing **tapping tool**. If gas keeps flowing (cutter not properly secured), close **relief valve** and return to step 15.



### TAPPING TOOL REMOVAL

Rotate **tapping tool** (counterclockwise) until released from **threaded head** and slide it off the **drilling shaft** (still attached to cutter). Thoroughly clean **tapping tool** and **gauge**, and store in tooling case.



### DRILLING SHAFT REMOVAL

Rotate **bushing** (counterclockwise) by hand until it is no longer attached to **cutter head** and pull **drilling shaft** off. Clean **drilling shaft** and store in tooling case. Check for leaks on drilling head with soapy water and clean.



### INSTALLATION COMPLETION

Re-insert **safety pin**. Using wrench provided, rotate **steel cap** (clockwise) onto **threaded head** until firmly tightened. Re-insert **PE cap**, and use wrench provided to secure **PE cap bolt** and **washer** (clockwise).

## SUPRAFLOW® TAPPING INSTRUCTIONS

125 psi for gas

### Warning !

Torre Gas S.L. guarantees the correct performance of its products, according to their technical specs and instructions of use, and accepts no liability for whatever misuse of them.

### Do's and Don'ts



Always follow the given steps and guidance. Do not eliminate any steps or attempt shortcuts. Contact your supplier for guidance if any steps are unclear.



In the event of malfunction or broken components, stop operation and contact your supplier immediately.



All parts must be thoroughly cleaned after use and before storing back in tooling case.



Factory service must be carried out every 24 months by manufacturer or authorized supplier.



Never attempt to repair or replace any part of equipment. Only authorized service is entitled to do repairs and replacements on equipment.



**NO CLAIMS ON THE EQUIPMENT OR ITS PERFORMANCE WILL BE ACCEPTED IF NOT COMPLYING WITH THE SAFETY WARNINGS ABOVE**

Supraflow® video  
installation instructions

